


Homework - 12.9.25 - Numeracy

Dechrau -

Sum up

Choose from these four cards.



Make these totals:

- 9
- 10
- 11
- 12
- 13
- 14
- 15

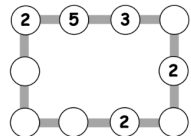
What other totals can you make from the cards?

Challenge - How many 2-digit, 3-digit and 4-digit numbers can you create from those cards?

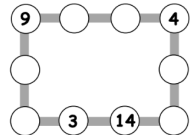
Datblygu -

Number lines

1. Make each line add up to 16.



2. Make each line add up to 20.



Challenge - Can you create your own?

Choose either a 2-digit, 3-digit or 4-digit sum to aim for!

Meistroli -

(Palindromic - number is the same forwards and backwards)

Start with a two-digit number, for example: 32.

Reverse it and add the result to the original number: $32 + 23 = 55$

The result is palindromic after one reversal. 55

- 1) Can you find two-digit numbers that are palindromic after one reversal?
- 2) Investigate the same process with three-digit numbers.